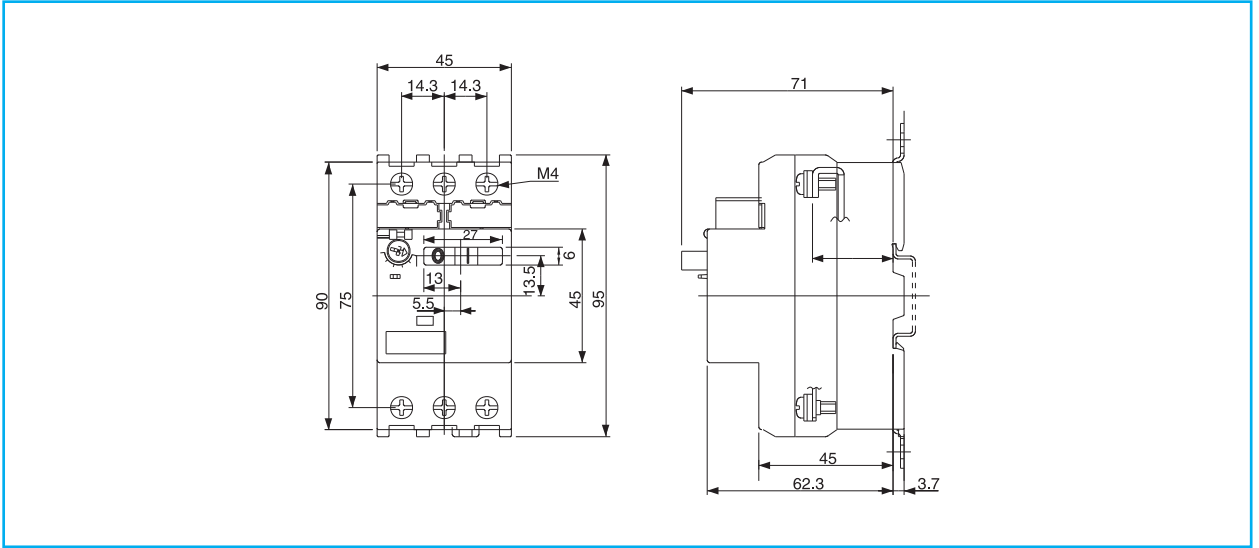
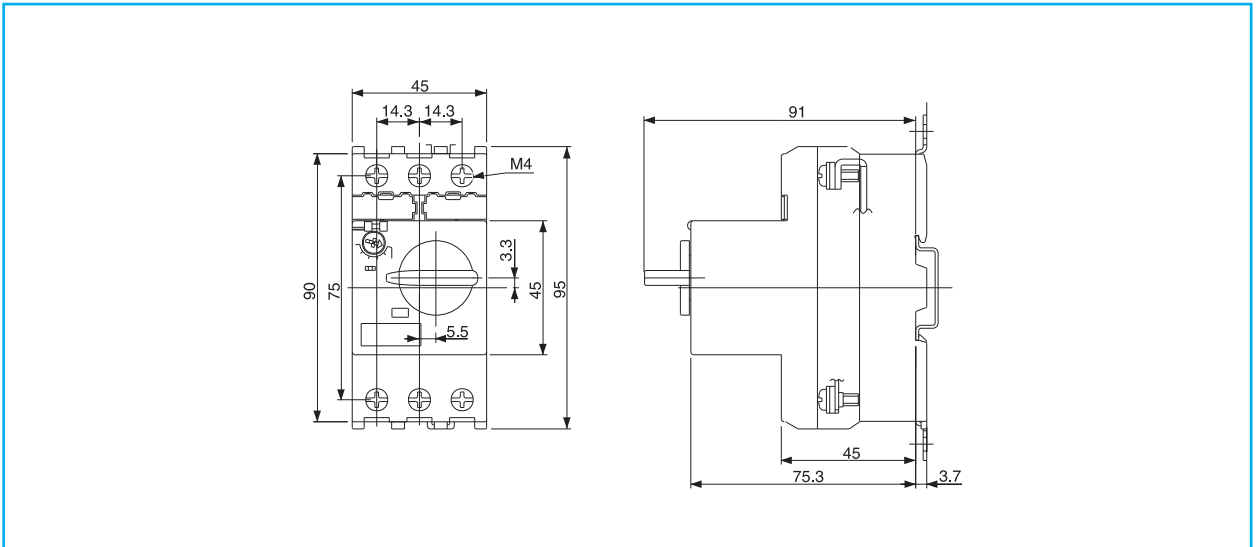


**Dimensional drawings**

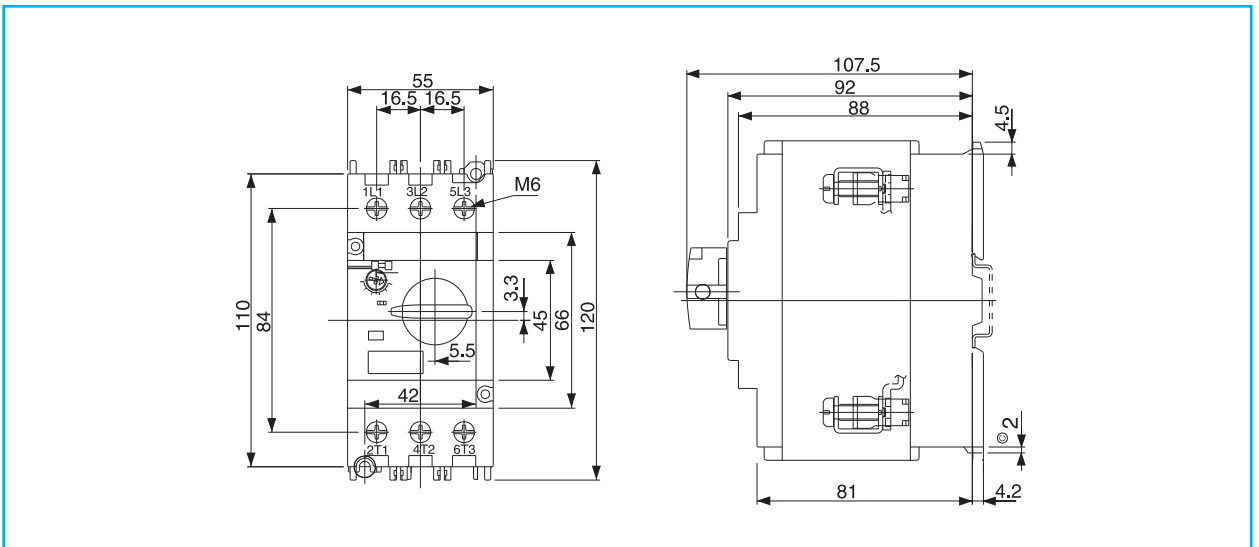
**Manual Motor Starter - GPS1 rocker**



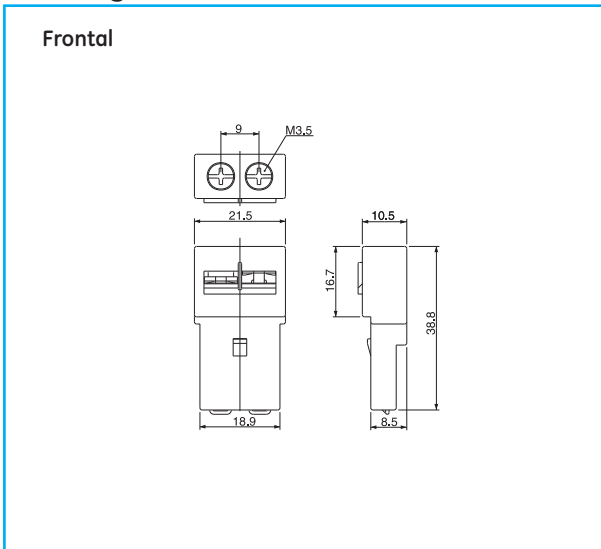
**Manual Motor Starter - GPS1 rotary**



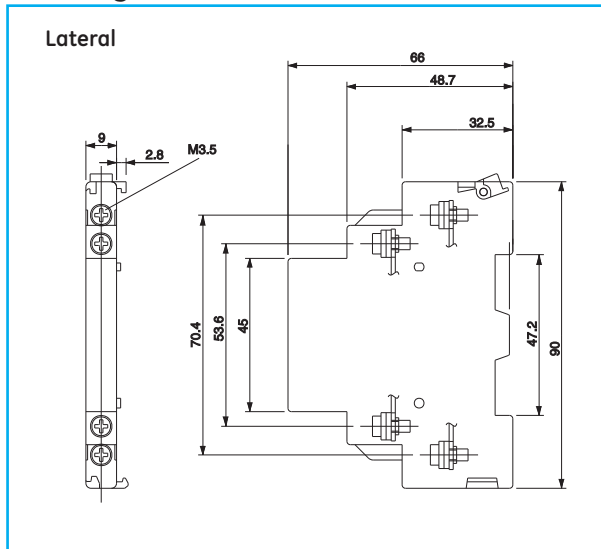
**Manual Motor Starter - GPS2**



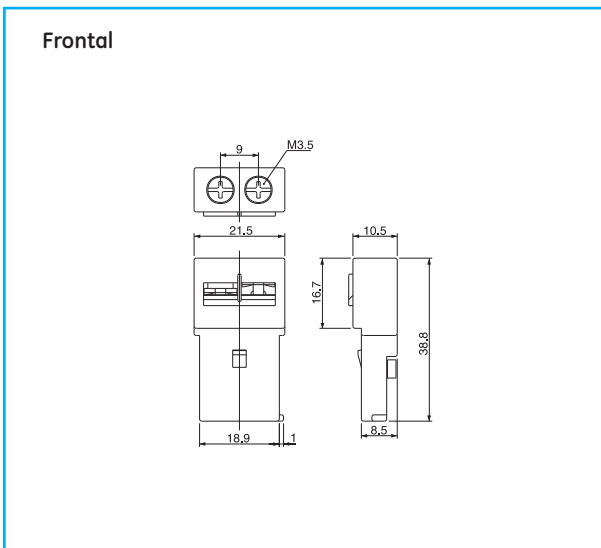
**Auxiliary contact blocks**



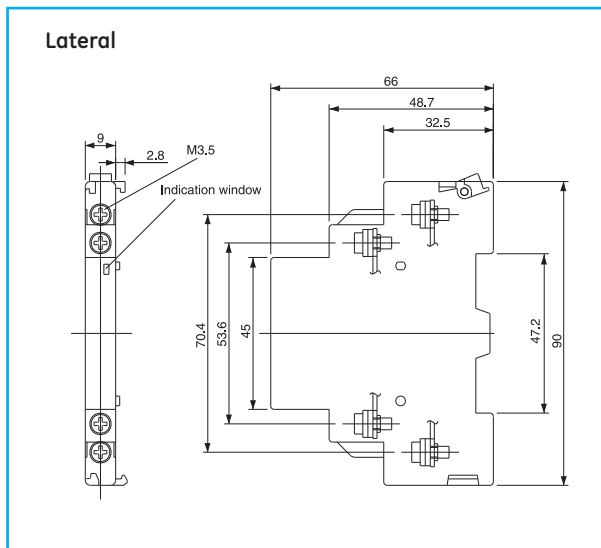
**Auxiliary contact blocks**



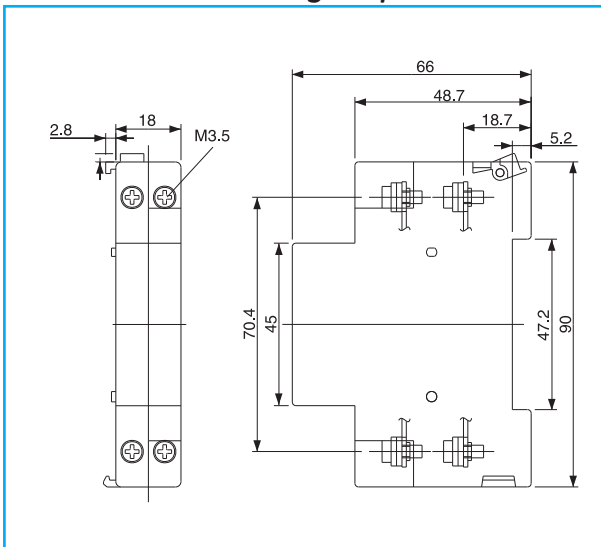
**Alarm contact blocks**



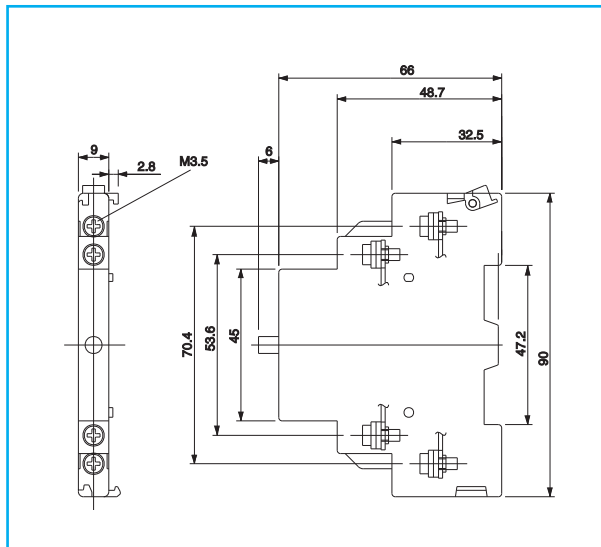
**Alarm contact blocks**



**Shunt and undervoltage trip devices**

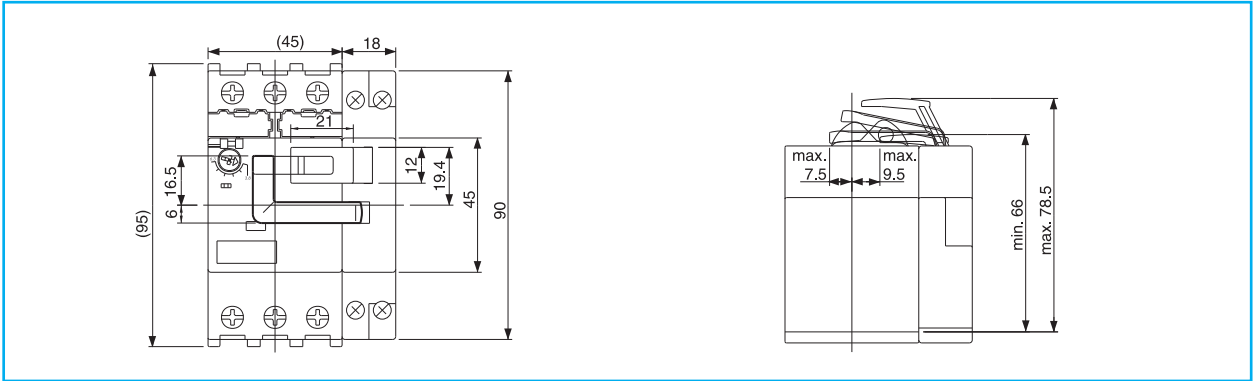


**Short-circuit contact block**

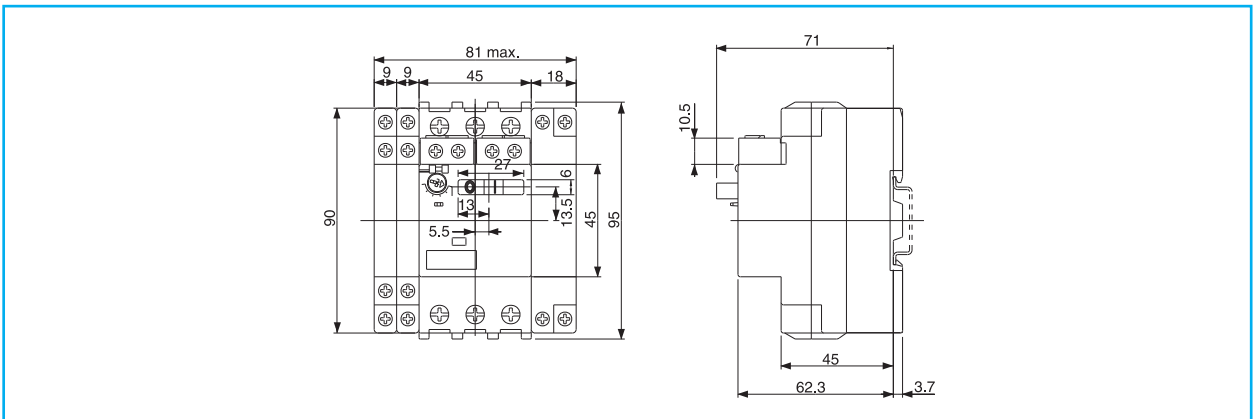


**Dimensional drawings**

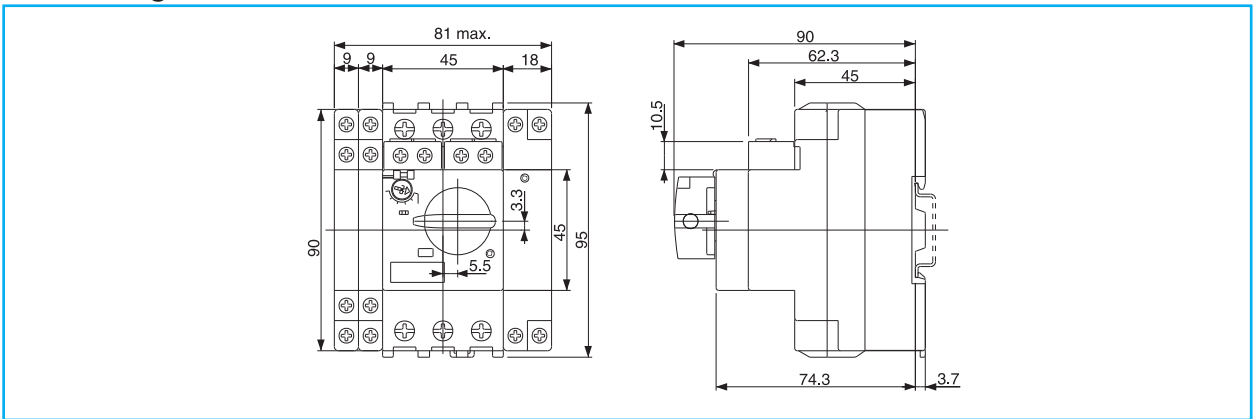
**GPS1 rocker + Undervoltage trip device with 2NO contacts**



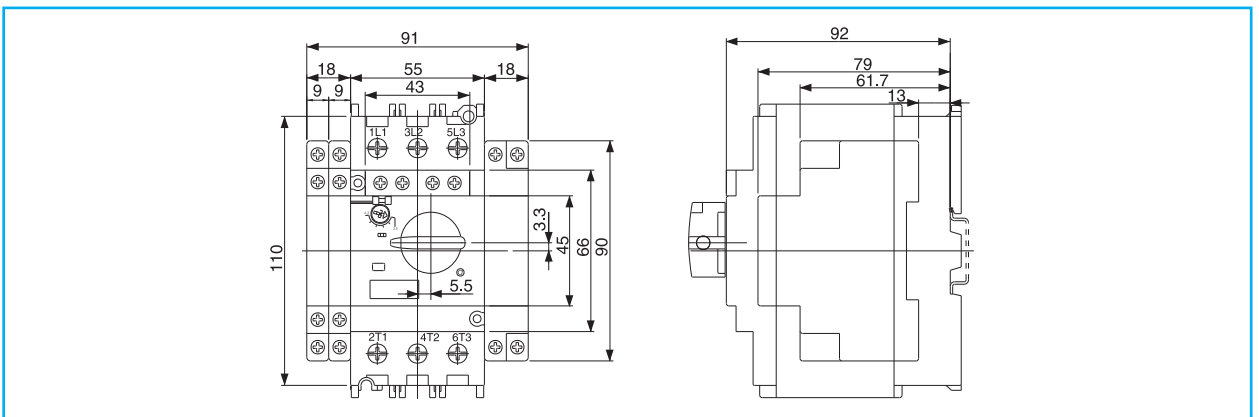
**GPS1 rocker + Auxiliaries**



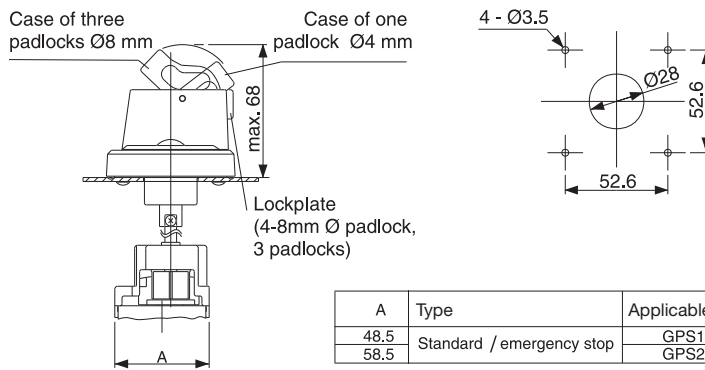
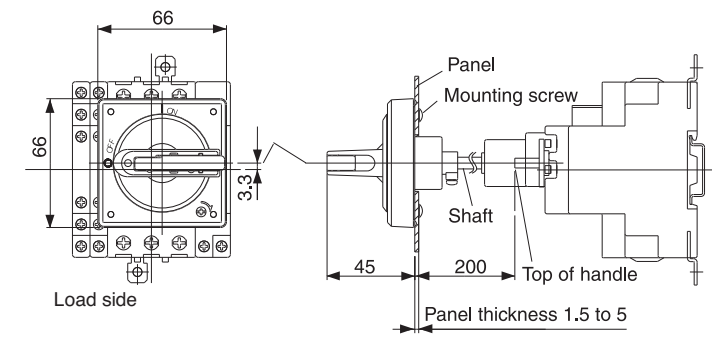
**GPS1 rotary + Auxiliaries**



**GPS2 + Auxiliaries**



External handle operator



A	Type	Applicable frame
48.5	Standard / emergency stop	GPS1*H
58.5		GPS2

A

**B**

C

D

E

F

G

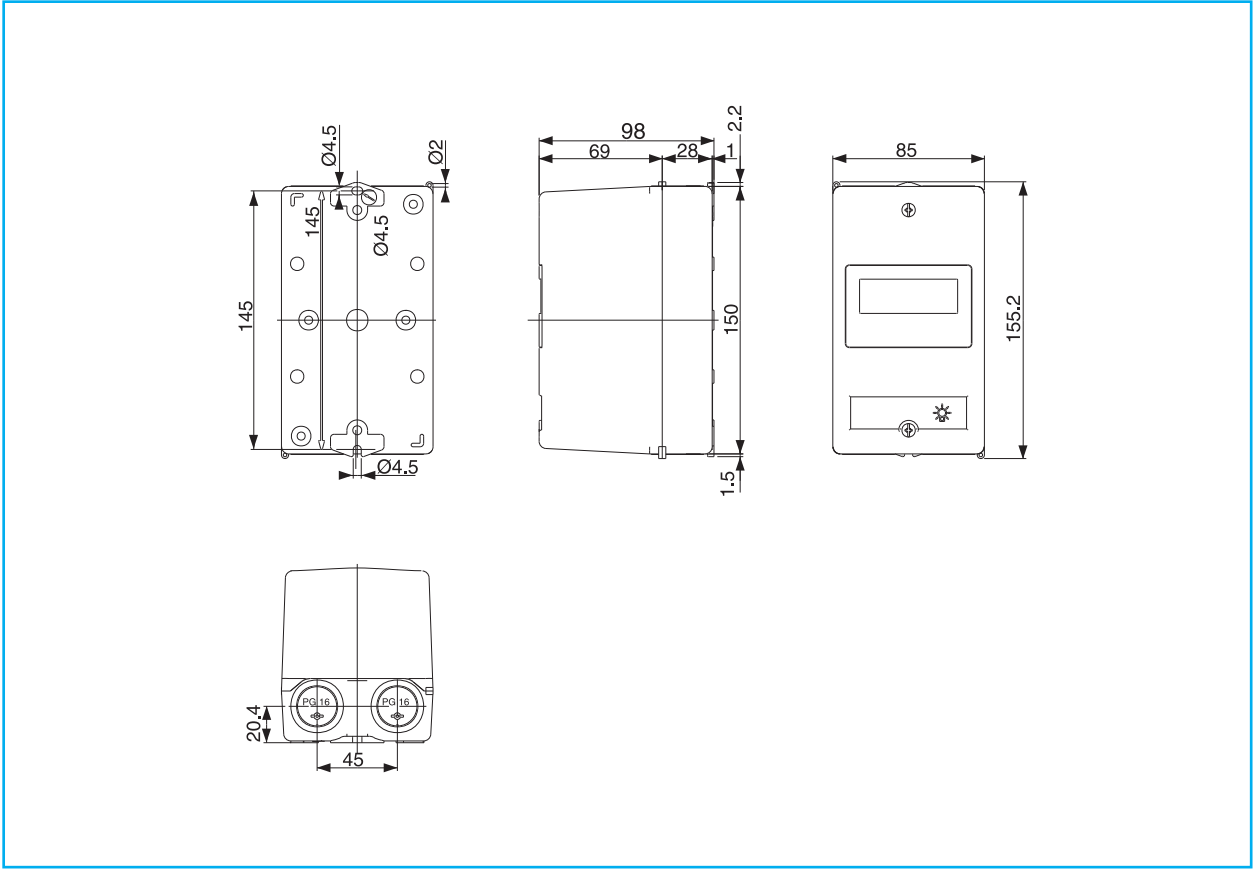
H

I

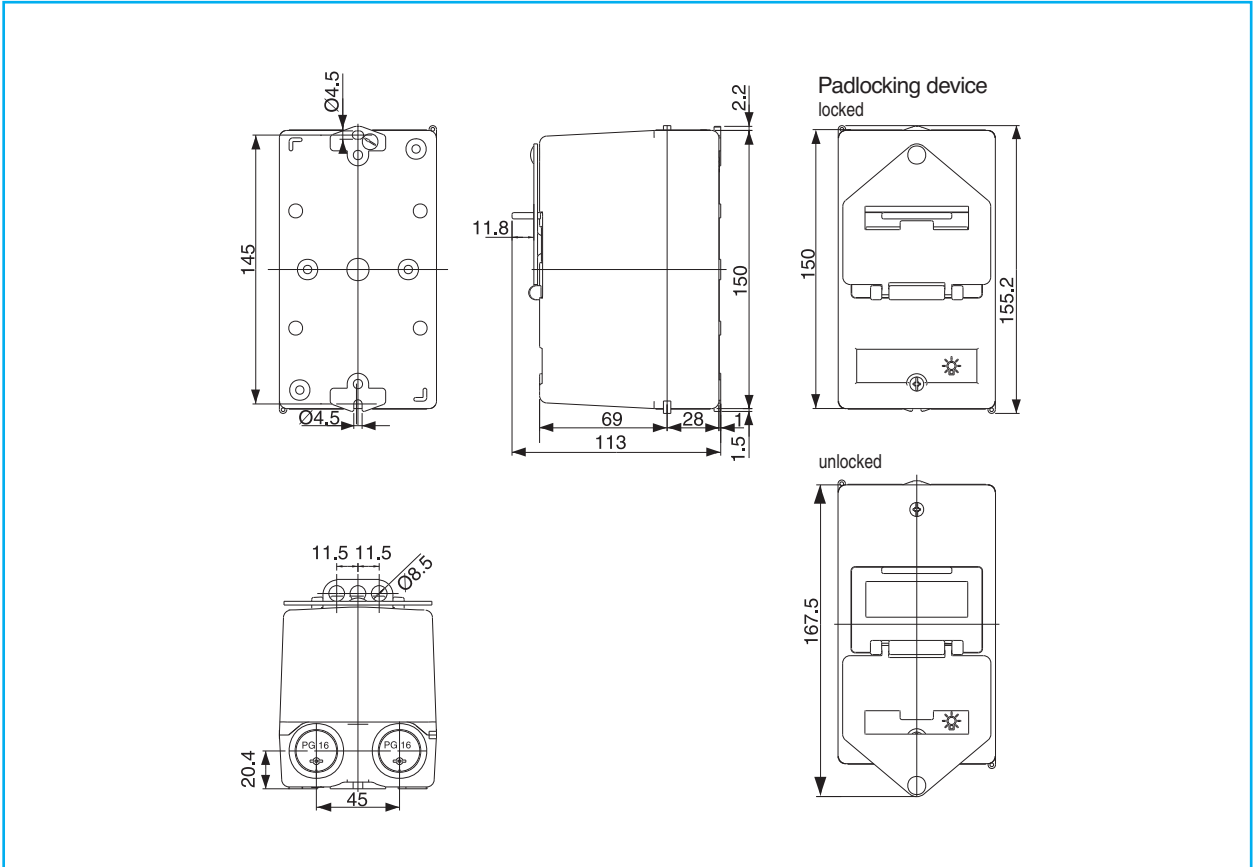
X

**Dimensional drawings**

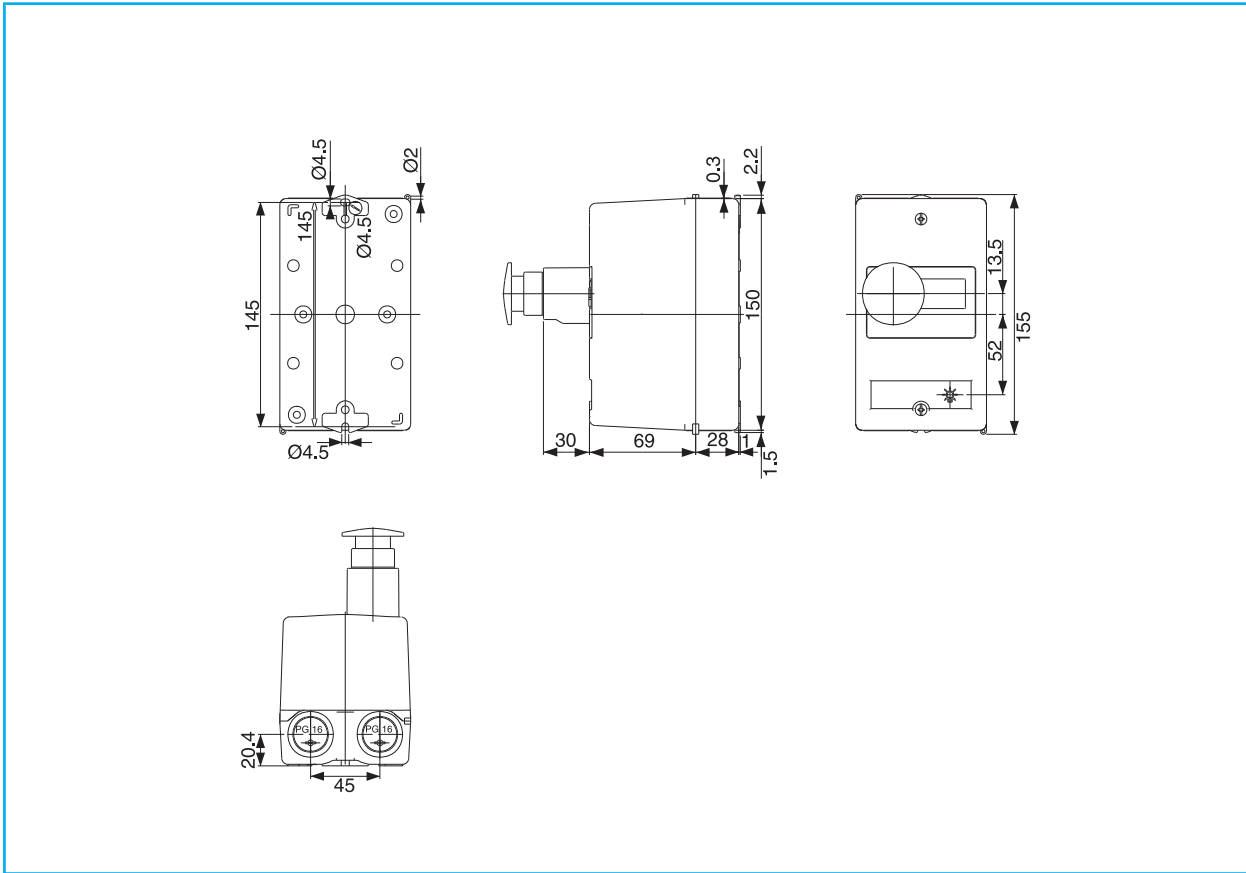
**Enclosure for GPS1 - Surface mounting**



**Enclosure for GPS1 - Surface mounting with padlocking device**



Enclosure for GPS1 - Surface mounting with emergency push-button



Manual motor starter

A

B

C

D

E

F

G

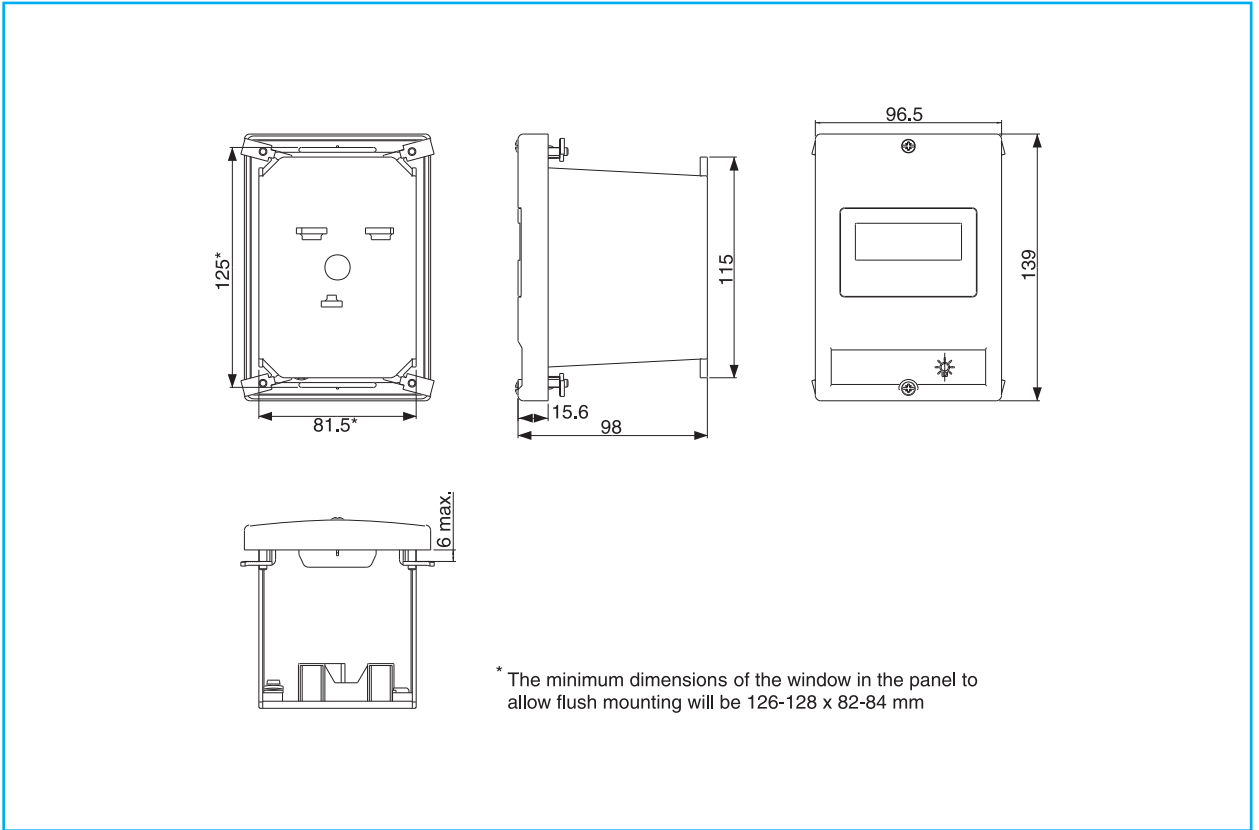
H

I

X

**Dimensional drawings**

**Enclosure for GPS1 - Flush mounting**



**Enclosure for GPS1 - Flush mounting with padlocking device**

