

Short-circuit breaking capacity Icu/Ics according to IEC 947-2

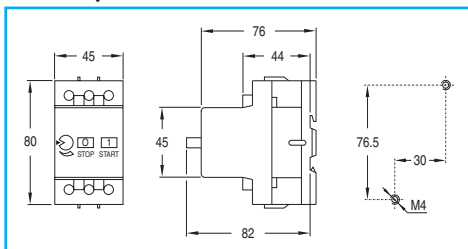
Thermal adjustment (A)	230V AC / 220V DC <sup>(1)</sup>				400V AC				415V AC				500V AC				690V AC			
	3ph motor AC3 (kW)	Icu (kA)	Ics (kA)	Fuse <sup>(2)</sup> (A)	3ph motor AC3 (kW)	Icu (kA)	Ics (kA)	Fuse <sup>(2)</sup> (A)	3ph motor AC3 (kW)	Icu (kA)	Ics (kA)	Fuse <sup>(2)</sup> (A)	3ph motor AC3 (kW)	Icu (kA)	Ics (kA)	Fuse <sup>(2)</sup> (A)	3ph motor AC3 (kW)	Icu (kA)	Ics (kA)	Fuse <sup>(2)</sup> (A)
0.1 - 0.16	-	65	65	(3)	0.02	65	65	(3)	0.02	65	65	(3)	0.04	65	65	(3)	0.06	42	42	(3)
0.16 - 0.25	-	65	65	(3)	0.06	65	65	(3)	0.06	65	65	(3)	0.06	65	65	(3)	0.12	42	42	(3)
0.25 - 0.4	0.06	65	65	(3)	0.09	65	65	(3)	0.12	65	65	(3)	0.12	65	65	(3)	0.18	42	42	(3)
0.4 - 0.63	0.09	65	65	(3)	0.12	65	65	(3)	0.18	65	65	(3)	0.25	65	65	(3)	0.37	42	42	(3)
0.63 - 1	0.12	65	65	(3)	0.25	65	65	(3)	0.25	65	65	(3)	0.37	65	65	(3)	0.75	1	1	20
1 - 1.6	0.25	65	65	(3)	0.55	65	65	(3)	0.55	65	65	(3)	0.75	65	65	(3)	1.1	1	1	20
1.6 - 2.5	0.37	65	65	(3)	0.75	65	65	(3)	0.75	10	5	25	1.1	3	1.5	25	1.5	1	0.5	20
2.5 - 4	0.75	65	65	(3)	1.5	10 (4)	5 (4)	35	1.5	10	5	35	2.2	3	1.5	35	3	1	0.5	25
4 - 6.3	1.1	65	37.5(4)	(3)	2.2	10 (4)	5 (4)	50	2.2	10	5	50	3	3	1.5	50	4	1	0.5	35
6.3 - 10	2.2	10 (4)	5 (4)	80	4	4 (4)	2 (4)	80	4	4	2	80	5.5	3	1.5	50	7.5	1	0.5	35
10 - 16	4	6 (4)	3 (4)	80	7.5	4 (4)	2 (4)	80	7.5	3.5	1.75	80	9	3	1.5	63	11	1	0.5	35
16 - 20	5	6 (4)	3 (4)	80	9	4 (4)	2 (4)	80	9	2.5	1.25	80	11	1.5	0.75	63	15	1	0.5	50
20 - 25	5.5	6 (4)	3 (4)	80	11	4 (4)	2 (4)	80	12.5	2.5	1.25	80	15	1.5	0.75	63	22	1	0.5	50

Icu = Ultimate short-circuit breaking capacity  
Ics = Service short-circuit breaking capacity

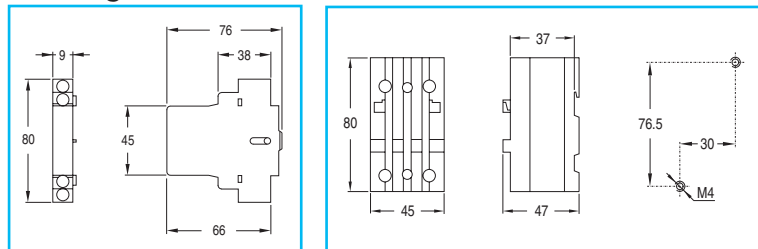
- (1) At 220V, t = 15 ms
- (2) Maximum value of the fuses when the presumed short circuit current is higher than the breaking capacity of the device. Type D, slow or NH type gG/gL.
- (3) No back-up fuse required to the Icu value
- (4) 50 kA in combination with current limiter

Dimensional drawings

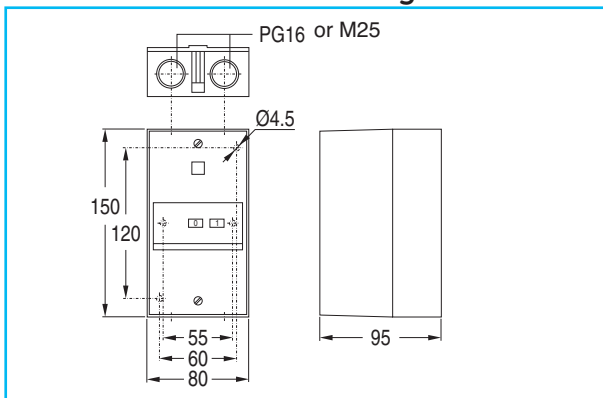
Motor protection circuit breaker



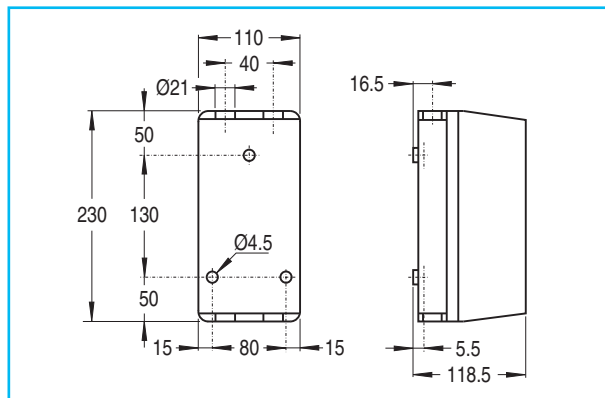
Auxiliary contact block Current limiter



Enclosures: surface mounting



Enclosure to combine with contactor



Enclosures: flush mounting

